

ACA105 Camera Specifications(720P)




Applicable Model: MD600\MD833H\MD300

Change History

File Name	ACA105 Specifications		
Project	MD600\MD833H\MD300	Creation Date	2025-09-18
Subproject	Accessory Specifications	Total Pages	5
Version	V1.0	Confidential	External Documentation

Copyright and Disclaimer

Copyright © Meitrack Group 2025. All rights reserved.

MEITRACK and  are trademarks that belong to Meitrack Group and its subsidiary.

The user manual may be changed without notice.

Without prior written consent of Meitrack Group, this user manual, or any part thereof, may not be reproduced for any purpose whatsoever, or transmitted in any form, either electronically or mechanically, including photocopying and recording.

Meitrack Group shall not be liable for direct, indirect, special, incidental, or consequential damages (including but not limited to economic losses, personal injuries, and loss of assets and property) caused by the use, inability, or illegality to use the product or documentation.

Documentation Update Records

Version	Date	Modified
1.0	2025-09-18	Initial draft.

Contents

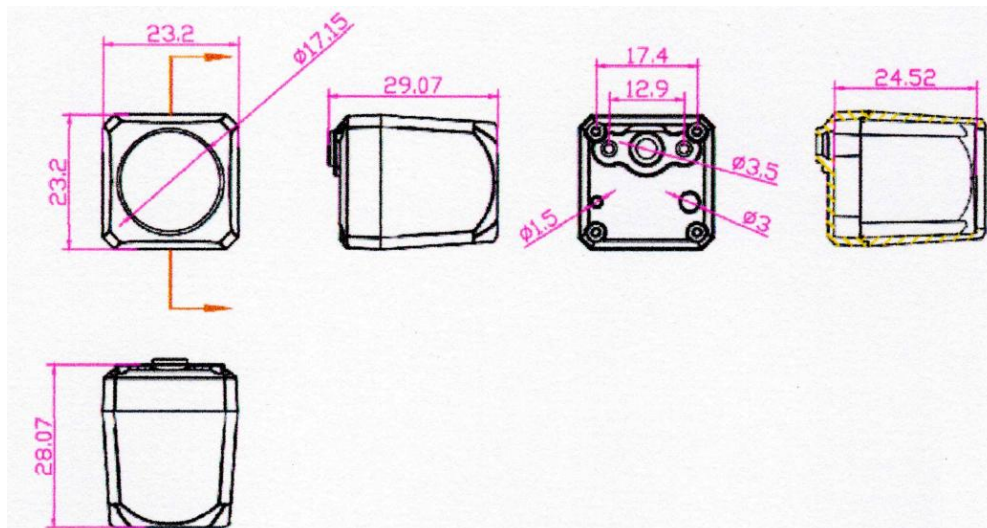
1 Product Specifications	- 4 -
2 Enclosure structure diagram	- 4 -
3 Standard Configuration	- 5 -
4 Single Camera Package	- 5 -

1 Product Specifications

Item	Specifications
Mod type	GC2053 1/2.9" SENSOR
Resolution	1280*720
Formality	PAL
Total pixels	100W
Minimum illumination	Illuminance, 0.01Lux@(F1.2,AGC ON)
Electronic shutter	AUTO
Signal-to-noise Ratio (SNR or S/N)	38DB
White balance	AUTO
IR-Cut	Colored
Pigtail length	500CM \pm 10
Waterproof rating	IP68
Audio	No
Infrared light	No
Video output	1.0Vp-p composite output, 75Q
Lens	1.2MM 2G4P
Angle	Horizontal 170°
Port	4PIN Aeronautical interface
Power	DC 12V \pm 10%
Operating current	\leq 200MA
Operating temperature	-30°C~+75°C
Operating humidity	Relative humidity less than 90%

2 Enclosure structure diagram

The dimensions of the main structure are shown as following. The unit is millimeters, the error is $\pm 0.5m$, the product length is 29.07mm, and the total height is 23.2m.



3 Standard Configuration

Order	Name	Quantity	Unit	Remarks
1	In-car camera	1	Pcs	Standard
2	Install screw kit	2	Pcs	Standard
3	Double-sided shock-absorbing sticker	1	Pcs	Standard

4 Single Camera Package



If you have any questions, do not hesitate to email us at info@meitrack.com.